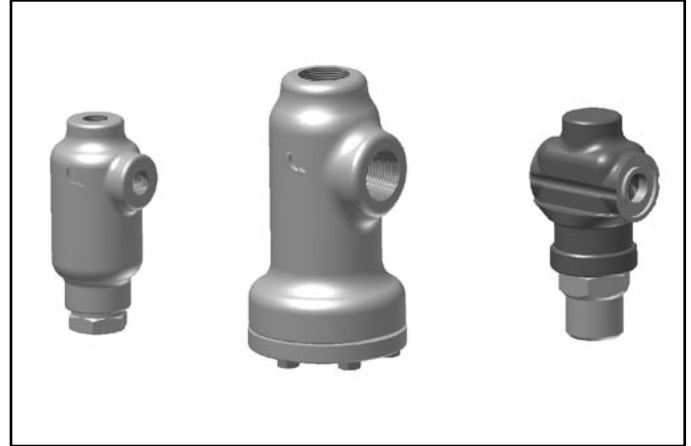


For Ammonia (R-717) and Halocarbon Refrigerants

Features

- **Pressure Rating:** 300 psig (-20°F to +240°F)
20 bar g (-29°C to +116°C)
- **Angle and Globe Style Bodies**
- **Threaded and Flanged Connections**
- **Stainless Steel Mesh Screen, Reinforced with Perforated Stainless Steel Cylinder**



510, 575 and S701JRP Compact Filters

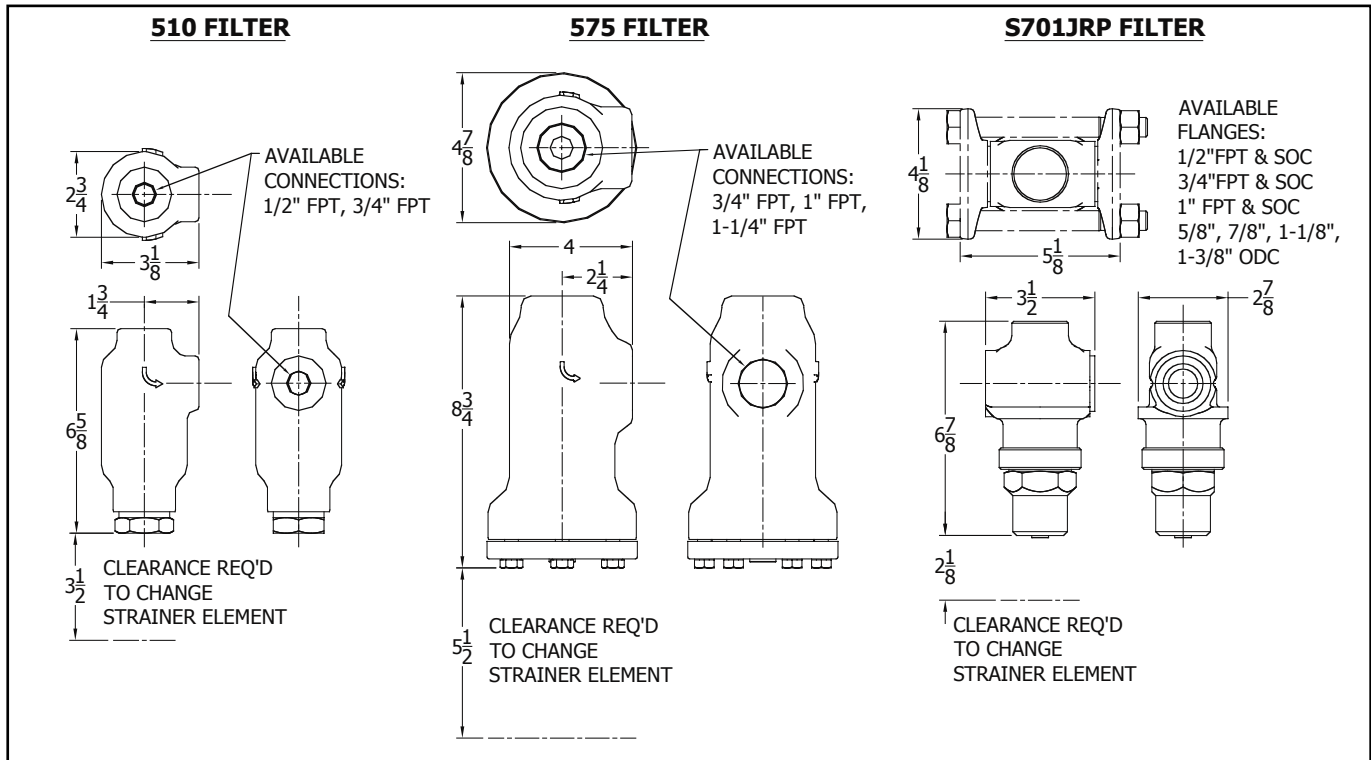
Description

Phillips® offers three styles of compact filters to protect a variety of refrigeration equipment from particulate matter. The 510 and 575 styles are angle-type, typically used with low-side float valves. These filters have FPT connections. The S701JRP is a flanged globe-style filter, typically used with small piston-type valves. All of these filters feature screen assemblies that are reinforced with perforated stainless steel sleeves.

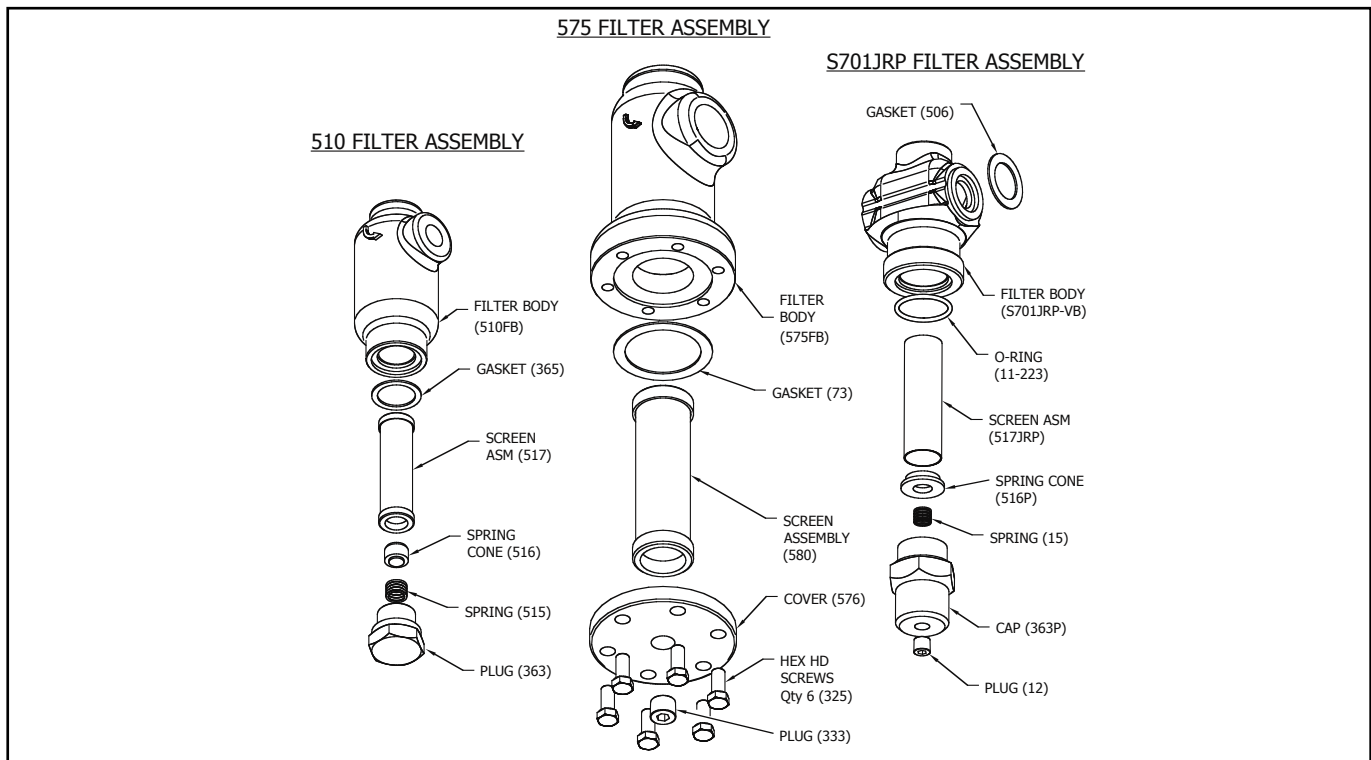
Compact Filters Table

Model	Body Style	Connection Size	Body Material	Filter Area	Mesh Size	Shipping Weight
510	Angle, Threaded	1/2" FPT, 3/4" FPT	Zinc-Plated Cast Iron	11 sq.in. (71 sq.cm.)	200 (.003" particle)	5 lb. (2 kg)
575	Angle, Threaded	3/4" FPT, 1" FPT, 1-1/4" FPT	Zinc-Plated Cast Iron	29 sq.in. (187 sq.cm.)	50 (.012" particle)	20 lb. (10 kg)
S701JRP	Globe, Flanged	1/2", 3/4", 1" FPT 1/2", 3/4", 1" Socket Weld 5/8", 7/8", 1-1/8", 1-3/8" ODC	Painted Ductile Iron	14 sq.in. (90 sq.cm.)	50 (.012" particle)	6 lb. (3 kg)

Filter Dimensions Diagram



Spare Parts Diagram



H. A. Phillips & Co.

1612 Louise Drive
 South Elgin, IL 60177-2242 U.S.A.
 Phone: (630) 377-0050 • Fax: (630) 377-2706
 E-mail: info@haphillips.com
 or visit us @ www.haphillips.com

